

XMCO Series

Definite Purpose Contactors

Description

American Zettler's XMCO series of Definite Purpose Contactors are electromechanical switching devices designed ideally for the HVAC industry. The most common applications of our contactors are found in refrigeration, air conditioning and heating. Other applications include elevators, food service equipment, cranes, hoists, welding machines, power supplies, vending machines, lighting, pumps and compressors. XMCO contactors are built to the ARI 780/790 standard in our ISO 9001 manufacturing facility for high performance and great reliability. XMCO is available in various pole configurations and load ratings up to 90 amps.



Features

- A variety of termination options for specific application requirements
- Universal mounting plate: Easy replacement of competitor's contactors
- Heavy-duty contacts ensure long electrical life
- EE lamination (magnetic assembly) provides optimum performance while reducing power consumption
- Performance unaffected by position mounting
- Dust-free internal construction
- UL, CUR file no. E222994



AMERICAN ZETTLER, INC.

www.azettler.com

75 COLUMBIA • ALISO VIEJO, CA 92656 • PHONE: (949) 831-5000 • FAX: (949) 831-8642 • E-MAIL: SALES@AZETTLER.COM

XMCO Series

PART NUMBERING SYSTEM

	XMCO	-	50	•	3	•	E	B	B	C	-	H	-	XXXX
Full Load Amps														
Number of Poles														
Coil Voltage														
Mounting Plate														
Cover														
Terminal														
Contact Material														
Custom Special Code														

Full Load Amp

25	25 FLA
32	32 FLA
40	40 FLA
50	*50 FLA
63	*63 FLA
75	75 FLA
90	90 FLA

* CUR approval pending

Mounting Plate

A	Plastic Base
B	Metal Plate
C	Metal Plate with DIN rail mounting*

* Available for 50 & 63 Amp versions only

Number of Poles

1	1-pole + 1 shunt - Compact
2	2-pole - Compact
7	1-pole - Compact
3	3-pole* - Standard
3A	2-pole - Standard

* 3P is only option for 50/63/75/90 Amp models

Cover

A	Long cover
B	Short cover

Coil Voltage

	50Hz	60Hz
D	12V	12V
E	24V	24V
F	110-120V	110-120V
I	208-240V	208-220V
L	227V	---
N	440-480V	550-600V
U	380-415V	550-600V

Terminal with Quick Connects

A	Screw
B	Sems clamp
C	Slotted & Hex head washer
D	Box lug

Contact Material

Nil	AgSnO ₂
H	AgCdO



AMERICAN ZETTLER, INC.

www.azettler.com

75 COLUMBIA • ALISO VIEJO, CA 92656 • PHONE: (949) 831-5000 • FAX: (949) 831-8642 • E-MAIL: SALES@AZETTLER.COM

5/2/07W

XMCO Series

Definite Purpose Contactors

General Data

Rated insulation voltage	690 Vrms
Di-electric strength	2500Vrms (coil to contact & contact to contact)
Designs/conforms to	IEC 60947-4-1, GB14048.4, EN60947-4, ARI780 / 790
Agency approvals	UL, CUR file E222994
Operating position	± 15° possible, relative to normal vertical mounting plane
Operating altitude	2000 meters without derating
Ambient temperature	-20°C to 70°C -40°C to 70°C
Shock resistance (1/2 ~ wave) = 11ms	Contact Open: 6g ; Contact Closed: 15g
Vibration resistance (5-300Hz)	Contact Open: 2g ; Contact Closed: 4g

Electrical

Rated Operating voltage	12V-600V max.
Make capacity (230V, cos Ø=0.45)	12 x FLA
Break capacity (230V, cos Ø=0.45)	10 x FLA
Switching frequency	360 operations/hour
Electrical endurance (ARI 780/790)	200,000 cycles
Mechanical endurance (ARI 780/790)	3,000,000 cycles



AMERICAN ZETTLER, INC. www.azettler.com

75 COLUMBIA • ALISO VIEJO, CA 92656 • PHONE: (949) 831-5000 • FAX: (949) 831-8642 • E-MAIL: SALES@AZETTLER.COM

5/2/07W

XMCO Series

Definite Purpose Contactors

Electrical Ratings

Size	Full Load Amps (FLA)	Resistive Load Amps (RLA)	Locked Rotor Amps (LRA)			Pole Form	Order Number
			240VAC	480VAC	600VAC		
Compact	25	32	150	125	100	1P	XMCO-257
						1P+1shunt	XMCO-251
						2P	XMCO-252
	32	40	180	150	120	1P	XMCO-327
						1P+1shunt	XMCO-321
						2P	XMCO-322
	40	50	240	200	160	1P	XMCO-407
						1P+1shunt	XMCO-401
						2P	XMCO-402
Standard	25	32	150	125	100	2P	XMCO-253A
						3P	XMCO-253
	32	40	180	150	120	2P	XMCO-323A
						3P	XMCO-323
	40	50	240	200	160	2P	XMCO-403A
						3P	XMCO-403
	50	63	300	250	200	3P	XMCO-503
	63	80	360	300	240	3P	XMCO-633
	75	95	450	375	300	3P	XMCO-753
	90	120	540	450	360	3P	XMCO-903

Coil Data

Pole Form	Inrush VA	Sealed VA	Sealed (W)	Pickup Voltage	Dropout Voltage
1 pole, 1 pole + 1 shunt	32	5.0	1.5 - 3	≤ 0.8 Us*	≥ 0.2 Us*
2 pole	40	6.0	2.5 - 4.5		
3 pole, 2 pole standard (3A)	60	8.0	3.6 - 6		
3 pole -503 & 633	120	17.0	3.5 - 8		
3 pole -753 & 903	235	32.0	6.0 - 17		

*Us = nominal coil voltage



AMERICAN ZETTLER, INC.

www.azettler.com

75 COLUMBIA • ALISO VIEJO, CA 92656 • PHONE: (949) 831-5000 • FAX: (949) 831-8642 • E-MAIL: SALES@AZETTLER.COM

5/2/07W

XMCO Series

Definite Purpose Contactors

Dimensions

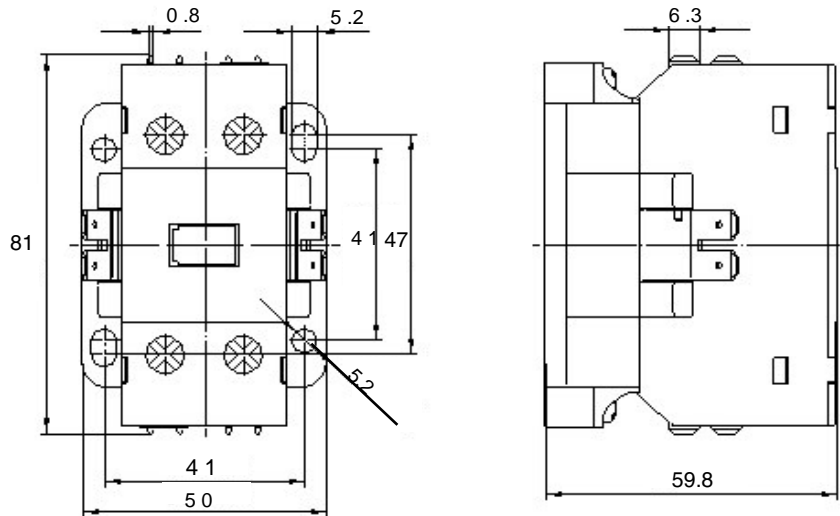


Fig 1 -1-pole/1-pole +shunt 2 pole (plastic base, 25-40 A Compact)

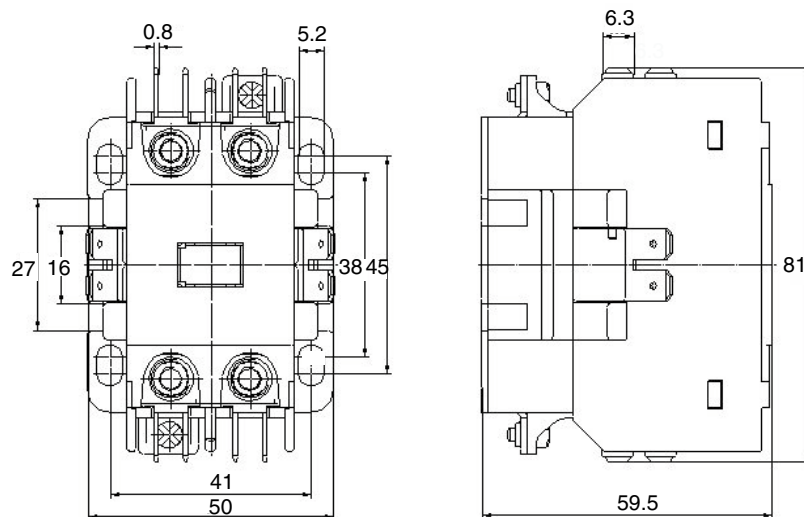


Fig 2 -1-pole/1-pole +shunt 2 pole (metal base, 25-40 A Compact)



AMERICAN ZETTLER, INC.

www.azettler.com

75 COLUMBIA • ALISO VIEJO, CA 92656 • PHONE: (949) 831-5000 • FAX: (949) 831-8642 • E-MAIL: SALES@AZETTLER.COM

5/2/07W

XMCO Series

Definite Purpose Contactors

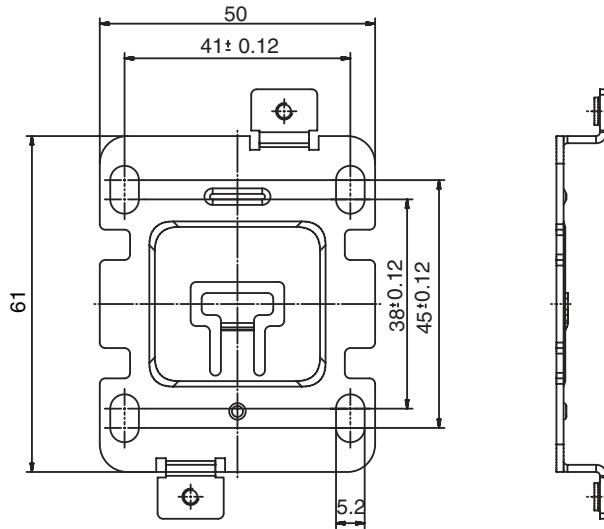


Fig 3 -2-pole (metal base, 25-40 A Compact)

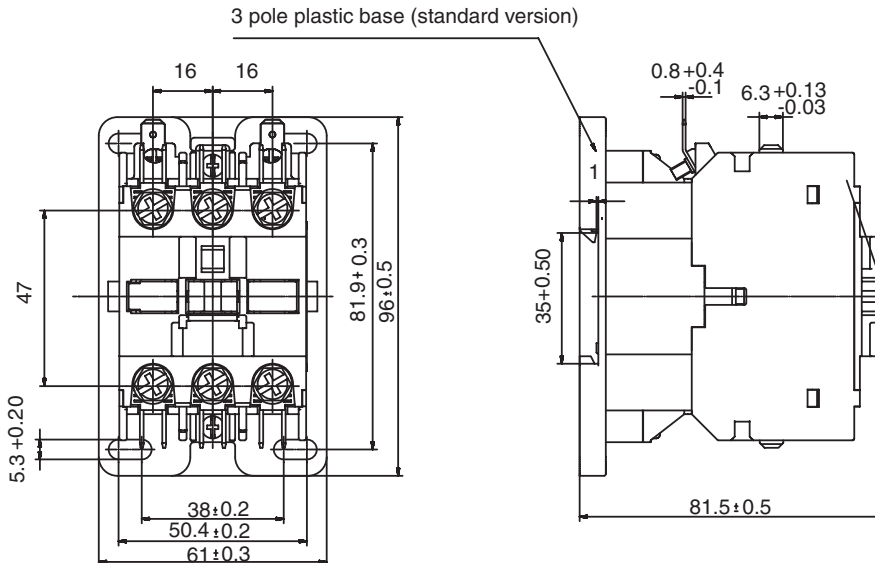


Fig 4 -3-pole (plastic base, 25-40 A Standard)



AMERICAN ZETTLER, INC.

www.azettler.com

75 COLUMBIA • ALISO VIEJO, CA 92656 • PHONE: (949) 831-5000 • FAX: (949) 831-8642 • E-MAIL: SALES@AZETTLER.COM

5/2/07W

XMCO Series

Definite Purpose Contactors

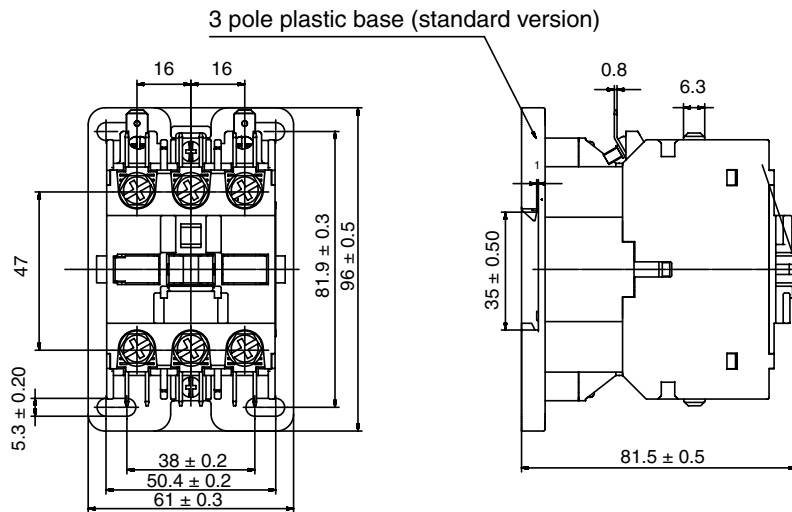


Fig 5 -3-pole (plastic base, 25-40 A Standard)

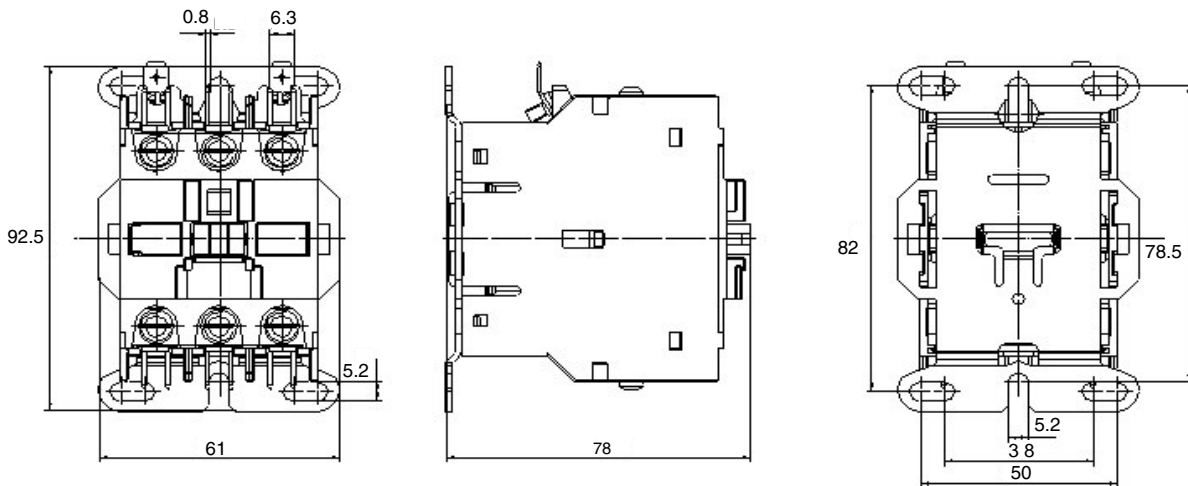


Fig 6 -3-pole (metal base, 25-40 A Standard)



AMERICAN ZETTLER, INC.

www.azettler.com

75 COLUMBIA • ALISO VIEJO, CA 92656 • PHONE: (949) 831-5000 • FAX: (949) 831-8642 • E-MAIL: SALES@AZETTLER.COM

5/2/07W

XMCO Series

Definite Purpose Contactors

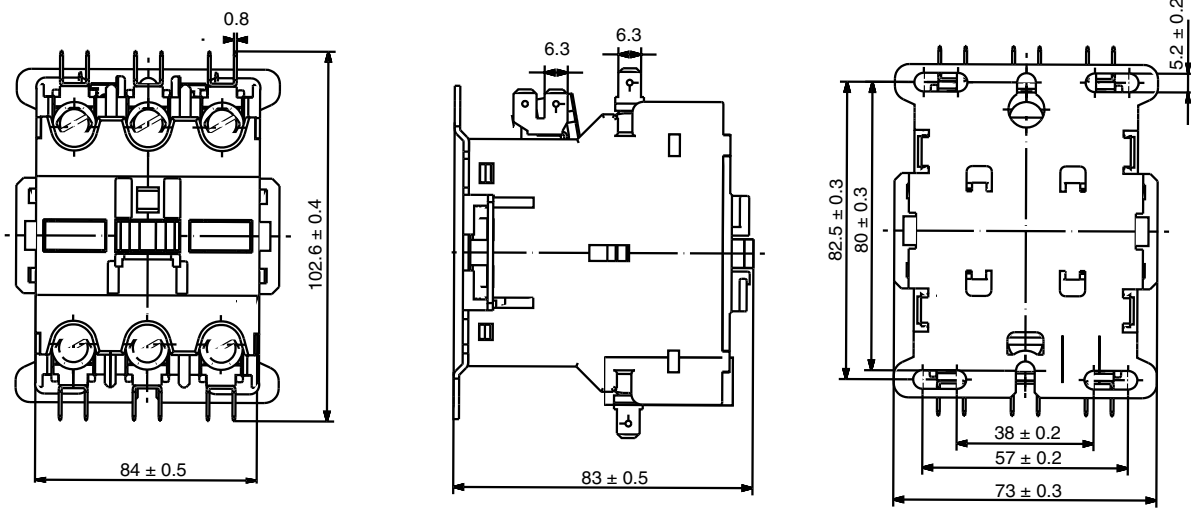


Fig 7 -3-pole (metal base, 50-63 A Standard)

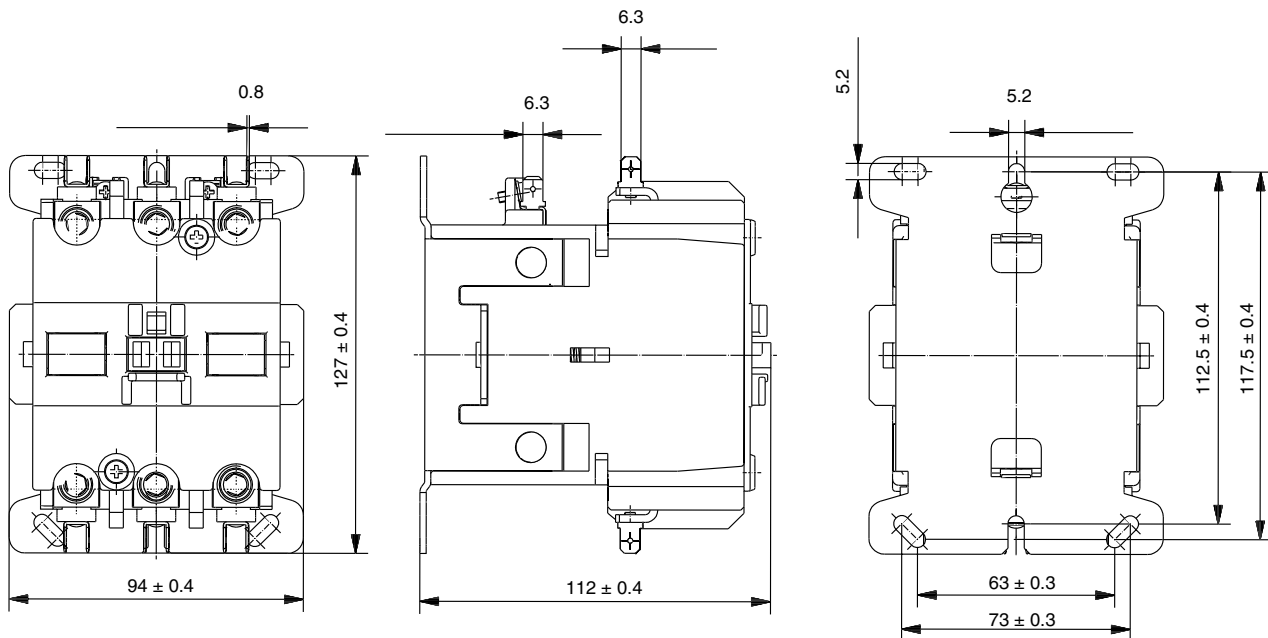


Fig 8 -3-pole (metal base, 75-90 A Standard)



AMERICAN ZETTLER, INC.

www.azettler.com

75 COLUMBIA • ALISO VIEJO, CA 92656 • PHONE: (949) 831-5000 • FAX: (949) 831-8642 • E-MAIL: SALES@AZETTLER.COM

5/2/07W